

Whole Log Chipper

Overview

Applications

The Kadant Carmanah Whole Log Chipper produces high quality chips from roundwood. As with all Kadant Carmanah equipment, the Whole Log Chipper is heavy duty in its design to ensure longevity and trouble free operation.

Features

- ▶ One man front face knife change
- ▶ Swing away side anvil door
- ▶ Heavy-duty, thick steel disc
- ▶ Air powered housing access quadrant

Benefits

- ▶ Minimize maintenance requirements
- ▶ Built in protection from metal and/or rocks
- ▶ High inertia and rugged disc provides longevity
- ▶ Ample room for disc maintenance activities



Cylinder-operated quadrant opening

Innovation

At Kadant Carmanah, we strive to improve the operation and reliability of our products. An example of this is the development of carbide inserts for our chipper anvils. This innovation adds a second cutting edge on the opposite face of the insert. Our customers benefit with reduced parts and maintenance costs and generally produce a superior quality chip as the result of the carbide maintaining its edge longer.

Design

The Whole Log Chipper is built to last from the ground up. The base is fabricated from heavy steel plate, stress relieved and machined in critical areas. The disc is manufactured from thick, firebox quality steel plate that is ultrasonically tested prior to machining. The oversized shaft and bearings ensure trouble free operation and longevity.

Reliability

At Kadant Carmanah, we manufacture products to provide years of trouble-free operation. It is not uncommon for our inside sales group to receive parts requests for chippers manufactured in the 1960's and 1970's - and of course, those parts are still available.

WHOLE LOG CHIPPER

Disc Diameter	Avg. Chip Volume (UPH)*	Disc RPM	Max Round Diameter	Rotating Inertia (lbs-ft ²)**	Weights (lbs.)**
96"	35	380	25"	94,000	38,000
96"	55	380	25"	94,000	38,000
96"	70	380	25"	94,000	38,000
96"	85	380	22"	94,000	38,000
112"	40	360	27-1/2"	175,000	45,000
112"	60	360	27-1/2"	175,000	45,000
112"	80	360	27-1/2"	175,000	45,000

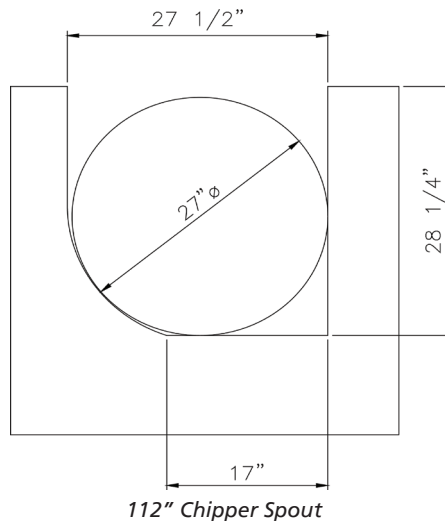
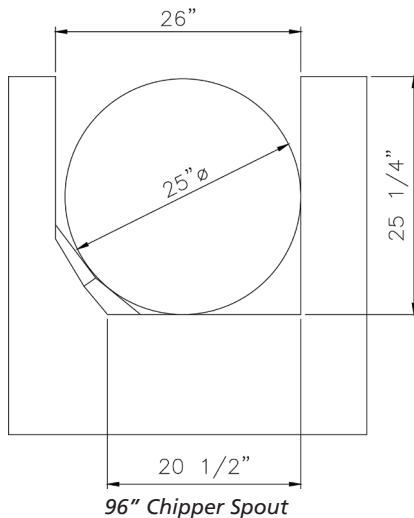
* One volumetric unit is equal to 200ft³ of loosely packed wood chips (or 5.66 m³)

** Inertia & weight calculated for back/bottom discharge only. Consult Kadant Carmanah for top discharge information.

Available Options:

- ▶ Drive Components
- ▶ Zero Speed Indicator
- ▶ Energy Dissipater
- ▶ Disc Brake
- ▶ Choice of Disposable or Conventional knife systems
- ▶ Back, Bottom or Top discharge

Spout Dimensions



KADANT
AN ACCENT ON INNOVATION

Kadant is a leading global supplier of products and services that improve productivity and quality in paper production and other process industries. For the nearest location and contact, visit our Website.

www.kadantcarmanah.com

Contact us:

KADANT CARMANAH DESIGN
Unit #8 - 15050 - 54A Avenue
Surrey, BC Canada V3S 5X7

Tel: +1-604-299-3431

Fax: +1-604-299-1310

Email: info.carmanah@kadant.com