

Fluid Handling Accessories

Applications

Kadant Johnson sight flow indicators are engineered to provide visual observation of liquid and gas flows. Designed for use with rotary joints and other applications requiring observation of flow through pipelines, Kadant Johnson sight flow indicators are available from 3/8" to 4" with threaded and flanged options.

Features

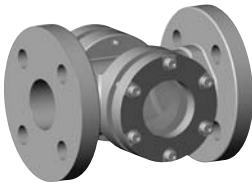
- ▶ Ductile iron construction
- ▶ Heavy duty Pyrex® glass or equal
- ▶ Special transparent-type Mica liners available

Benefits

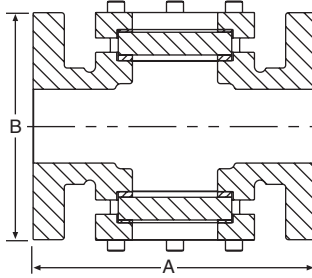
- ▶ Minimal pressure drop
- ▶ Minimal flow resistance
- ▶ High visibility of flow
- ▶ Operating pressures up to 150 psig



Type PSFF



Available in sizes: 1 1/4" to 4"
Body connections: Flanged, Class 150
Pressure rating: 150 psig (10 bar)
Temperature rating: 500° F (260° C)

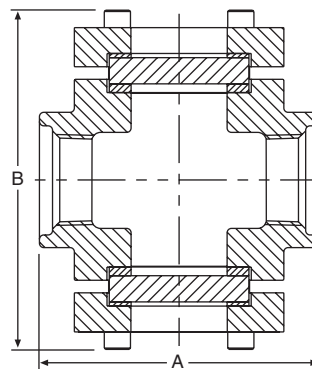


Size	A	B	Units
1 1/4"	6.25	5.0	inches
	159	127	mm
1 1/2"	6.25	5.0	inches
	159	127	mm
2"	5.5	6.5	inches
	140	165	mm
3"	8.0	7.5	inches
	203	191	mm
4"	8.0	9.0	inches
	203	229	mm

Type PSFS



Available in sizes: 3/8" to 2 1/2"
Body connections: Threaded
Pressure rating: 150 psig (10 bar)
Temperature rating: 350° F (177° C)

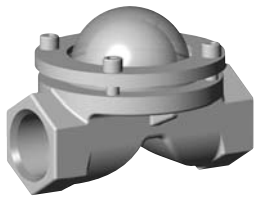


Size	A	B	Units
3/8"	3.5	4.0	inches
	89	102	mm
1/2"	3.5	4.0	inches
	89	102	mm
3/4"	4.0	4.86	inches
	102	123	mm
1"	4.0	4.86	inches
	102	123	mm
1 1/4"	5.0	5.5	inches
	127	140	mm
1 1/2"	5.0	5.5	inches
	127	140	mm
2"	5.0	6.0	inches
	127	152	mm
2 1/2"	5.0	6.88	inches
	127	175	mm

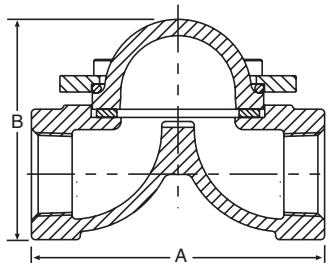
Note: Type PSFF and PSFS not recommended for condensate service above 75 psig (5 bar).

SIGHT FLOW INDICATORS

Type DSF/DBSF

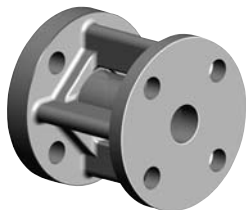


Available in sizes: 3/8" to 1 1/4"
 Body connections: Threaded
 Pressure rating: 140 psig (10 bar)
 Temperature rating: 300° F (149° C)

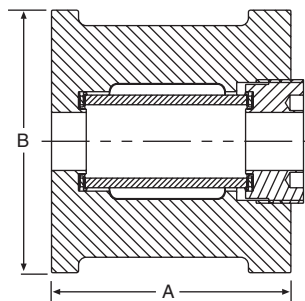


Size	A	B	Units
3/8"	3.5	2.88	inches
	89	73	mm
1/2"	3.5	2.88	inches
	89	73	mm
3/4"	4.5	3.38	inches
	114	86	mm
1"	4.5	3.38	inches
	114	86	mm
1 1/4"	4.5	3.88	inches
	114	99	mm

Type TSF



Available in sizes: 1" to 3"
 Body connections: Flanged, Class 150
 Pressure rating: 150 psig (10 bar)
 Temperature rating: 365° F (185° C)



Size	A	B	Units
1"	4.08	4.25	inches
	104	108	mm
1 1/4"	4.02	4.63	inches
	102	118	mm
1 1/2"	4.88	5.0	inches
	124	127	mm
2"	5.02	6.0	inches
	128	152	mm
2 1/2"	5.88	7.5	inches
	149	191	mm
3"	6.01	7.5	inches
	153	191	mm

Note: Type DSF, DBSF, and TSF not recommended for condensate service.

KADANT
 AN ACCENT ON INNOVATION

Kadant is a leading global supplier of products and services that improve productivity and quality in paper production and other process industries. For the nearest location and contact, visit our Website.

www.kadant.com

Contact us:

KADANT JOHNSON INC.
 805 Wood Street
 Three Rivers, MI 49093 USA

Tel: +1-269-278-1715
 Fax: +1-269-279-5980
 Email: info@kadant.com