

Sight Flow Indicators

Fluid Handling Accessories

Kadant Johnson sight flow indicators are engineered to provide visual observation of liquid and gas flows. Designed for use with rotary joints and other applications requiring observation of flow through pipelines, Kadant Johnson sight flow indicators are available from 3/8" to 4" with threaded and flanged options.



Overview



Features

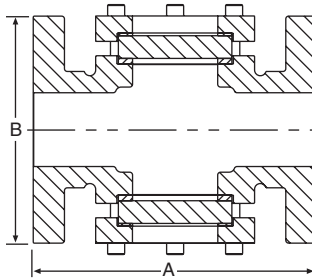
- Ductile iron construction
- Heavy duty Pyrex® glass or equal
- Special transparent-type Mica liners available



Benefits

- Minimal pressure drop
- Minimal flow resistance
- High visibility of flow
- Operating pressures up to 150 psig

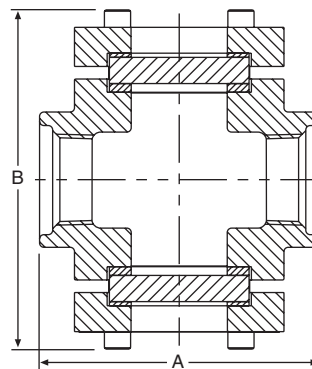
Type PSFF



Available in sizes: 1 1/4" to 4"
 Body connections: Flanged, Class 150
 Pressure rating: 170 psig (12 bar)
 Temperature rating: 500° F (260° C)

Size	A	B	Units
1 1/4"	6.25	5.0	inches
	159	127	mm
1 1/2"	6.25	5.0	inches
	159	127	mm
2"	5.5	6.5	inches
	140	165	mm
3"	8.0	7.5	inches
	203	191	mm
4"	8.0	9.0	inches
	203	229	mm

Type PSFS



Available in sizes: 3/8" to 2 1/2"
 Body connections: Threaded
 Pressure rating: 150 psig (10 bar)
 Temperature rating: 350° F (177° C)

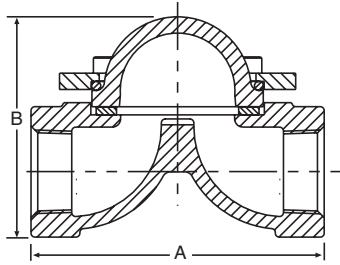
Size	A	B	Units
3/8"	3.5	4.0	inches
	79	95	mm
1/2"	3.5	4.0	inches
	79	95	mm
3/4"	4.0	4.86	inches
	92	127	mm
1"	4.0	4.86	inches
	92	127	mm
1 1/4"	5.0	5.5	inches
	108	138	mm
1 1/2"	5.0	5.5	inches
	108	138	mm
2"	5.0	6.0	inches
	114	146	mm
2 1/2"	5.0	6.88	inches
	127	162	mm

Note: Type PSFF and PSFS not recommended for condensate service above 75 psig (5 bar).

Type DSF/DBSF



Available in sizes: 3/8" to 1 1/4"
 Body connections: Threaded
 Pressure rating: 140 psig (10 bar)
 Temperature rating: 300° F (149° C)

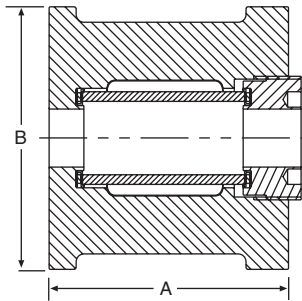


Size	A	B	Units
3/8"	3.5	2.88	inches
	79	65	mm
1/2"	3.5	2.88	inches
	79	65	mm
3/4"	4.5	3.38	inches
	102	76	mm
1"	4.5	3.38	inches
	102	76	mm
1 1/4"	4.5	3.88	inches
	102	87	mm

Type TSF



Available in sizes: 1" to 3"
 Body connections: Flanged, Class 150
 Pressure rating: 150 psig (10 bar)
 Temperature rating: 365° F (185° C)



Size	A	B	Units
1"	4.08	4.25	inches
	99	108	mm
1 1/4"	4.02	4.63	inches
	99	117	mm
1 1/2"	5.02	5.0	inches
	124	127	mm
2"	5.02	6.0	inches
	124	152	mm
3"	6.01	7.5	inches
	149	191	mm

Dimensions are for reference only and subject to change.