

Boost the performance of your fine screen system

Applications

For screening systems in:

- ▶ OCC recycling
- ▶ Stock preparation
- ▶ Pulp mills
- ▶ De-inking
- ▶ Other screening applications

Benefits



Increased savings

- ▶ Reduces fiber loss
- ▶ High cleaning efficiency
- ▶ Increases capacity
- ▶ Saves energy



Improved screen performance

- ▶ Fluidizes screening zone more completely and more frequently than rotor action alone
- ▶ Improves basket and rotor efficiency and prolongs wear life
- ▶ Boosted screens remove more stickies
- ▶ Uses less energy by reducing hydraulic load



Low installation cost

- ▶ Quickly and easily installed
- ▶ Small foot print fits neatly into existing screening configurations
- ▶ Fast results with a quick return on investment



Low maintenance

- ▶ Durable simplicity for optimized performance, maximized flow, and reduced maintenance
- ▶ Provides feedback to fine-tune device for the demands of different stocks



Heavy-duty construction

- ▶ Optimized design, built to last
- ▶ Durable construction eloquently controls screen flow



Safety in mind

- ▶ Safe access for inspection



Optimize your output with Kadant's new articulated stock technology

The BoosTEK Performance Pack uses system pressure to amplify the breakdown of stock mats that form on, and ultimately block, the screen cylinder. Kadant's proprietary technology improves the performance of the screen resulting in potential increases in capacity, improved contaminant collection, and a higher yield of clean pulp fiber.

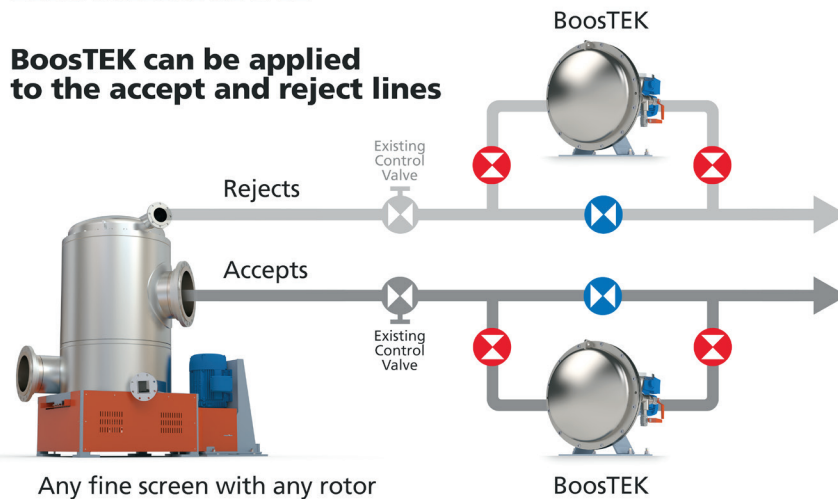
The operational gains can have a significant positive impact on fiber processing. BoosTEK performance technology lowers energy consumption, while in other cases provides significant fiber yield improvements.

Installed on either the accept or the reject line of the screen, the gains can be both qualitative and quantitative. The BoosTEK Performance Pack's adaptive and intelligent technology reacts to the needs of the screen, optimizing the running conditions of the stock flow to maximize performance and output.

BoosTEK™ Performance Pack

Installation

BoosTEK can be applied to the accept and reject lines



Benefits on the reject line

- Fiber savings
- RRw, RRv reductions

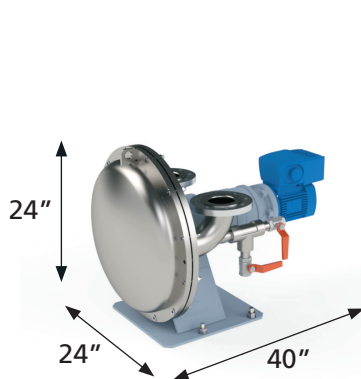
Benefits on the accept line

- Screening efficiency (fiber savings, better sticky removal)
- Reduced power consumption

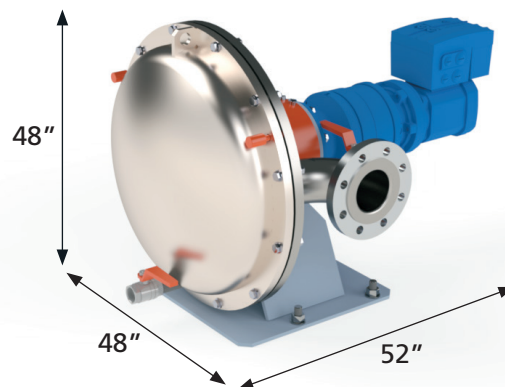
This easily installed, low-power unit is available in four models

	BT50	BT80	BT200	BT300
Inlet Pressure	4 PSI (minimum)	4 PSI (minimum)	4 PSI (minimum)	4 PSI (minimum)
Treated Flow (reject)	4.4 to 44 GPM	154 GPM	880 GPM	1,761 GPM
Treated Flow (accept)	N/A	352 GPM	2,421 GPM	4,843 GPM
Flange Connection	2"	3"	8"	12"
Rotation Speed	2.7 RPM	2.7 RPM	2.7 RPM	2.7 RPM
Installed Power	.5 HP	.5 HP	3 HP	3 HP
VSD	Included	Included	Included	Included

BT80



BT200



KADANT

Kadant is a global supplier of high-value, critical components and engineered systems used in process industries worldwide.

www.kadant.com

Contact us:

KADANT BLACK CLAWSON LLC
7312 Central Parke Boulevard
Mason, OH 45040 USA

Tel: +1-513-229-8100

Fax: +1-513-229-8194

Email: info@kadant.com