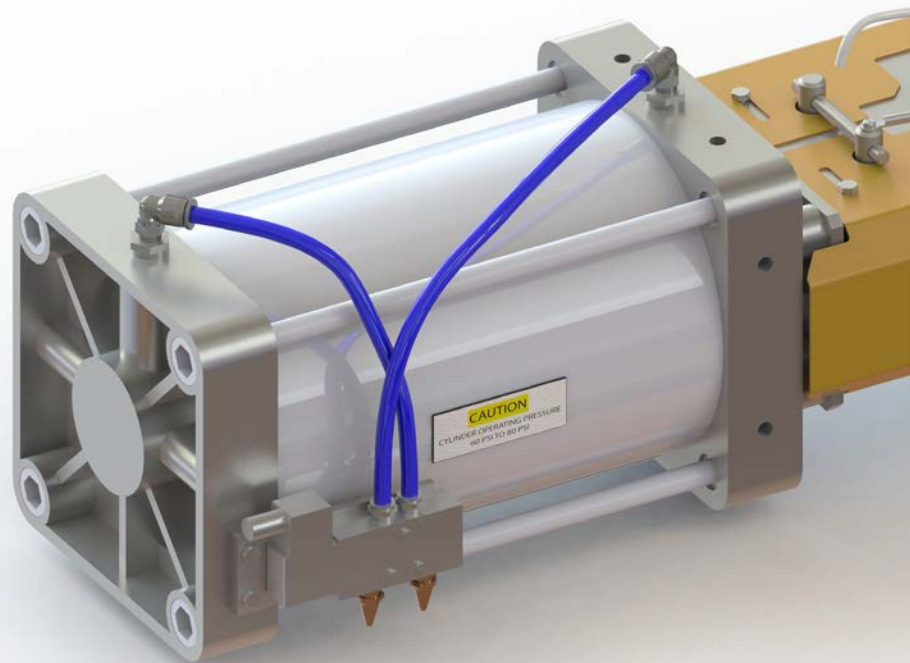


STR Valve Rebuild Kits

KADANT

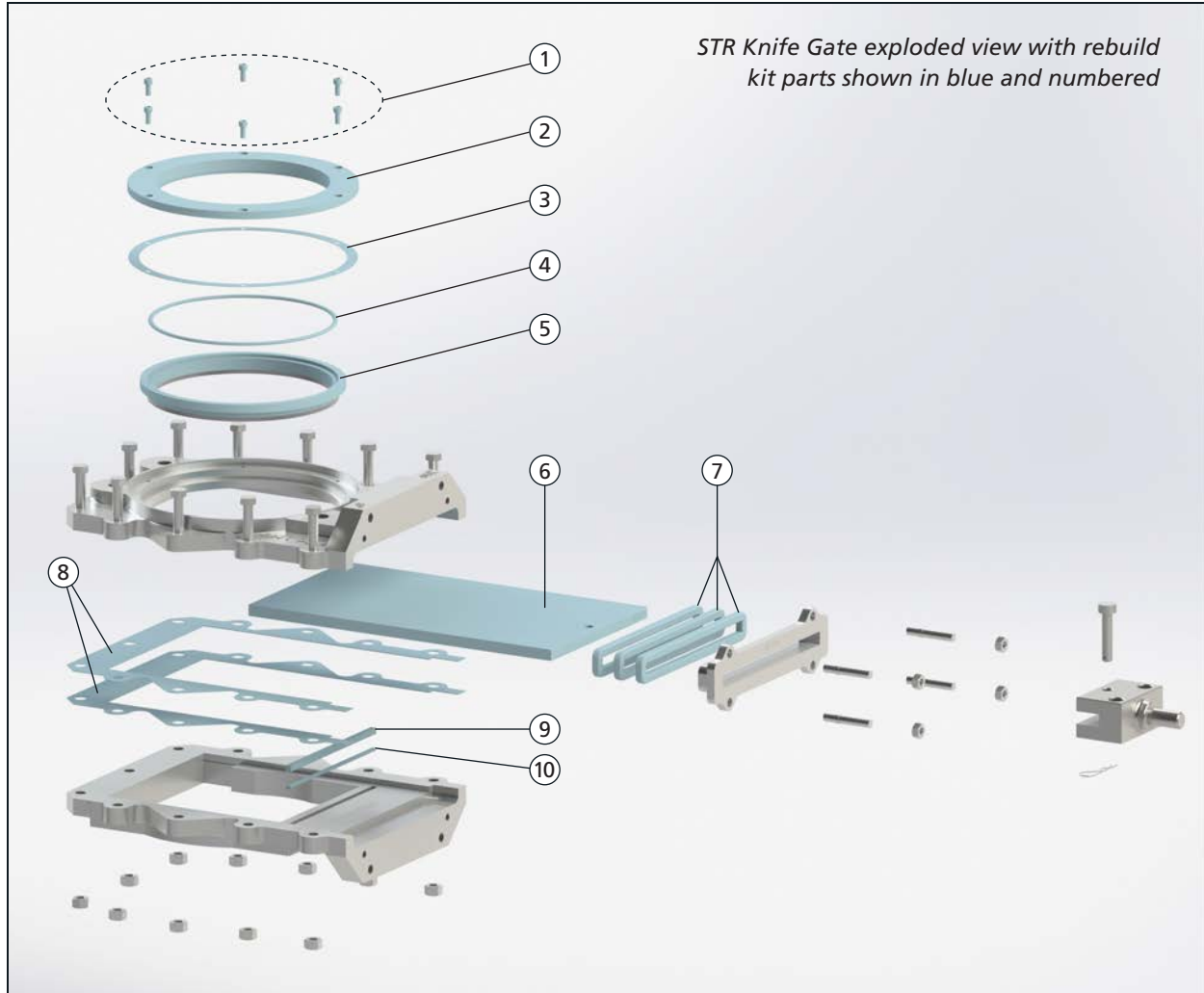
Easy prepackaged maintenance kits available for all STR Valve Gate and Cylinder assemblies



Cost effective replacement parts for the STR Valve line

STR Valve Rebuild Kits

STR Knife Gate Rebuild Kit



Parts included in the STR Valve Knife Gate Rebuild Kit:

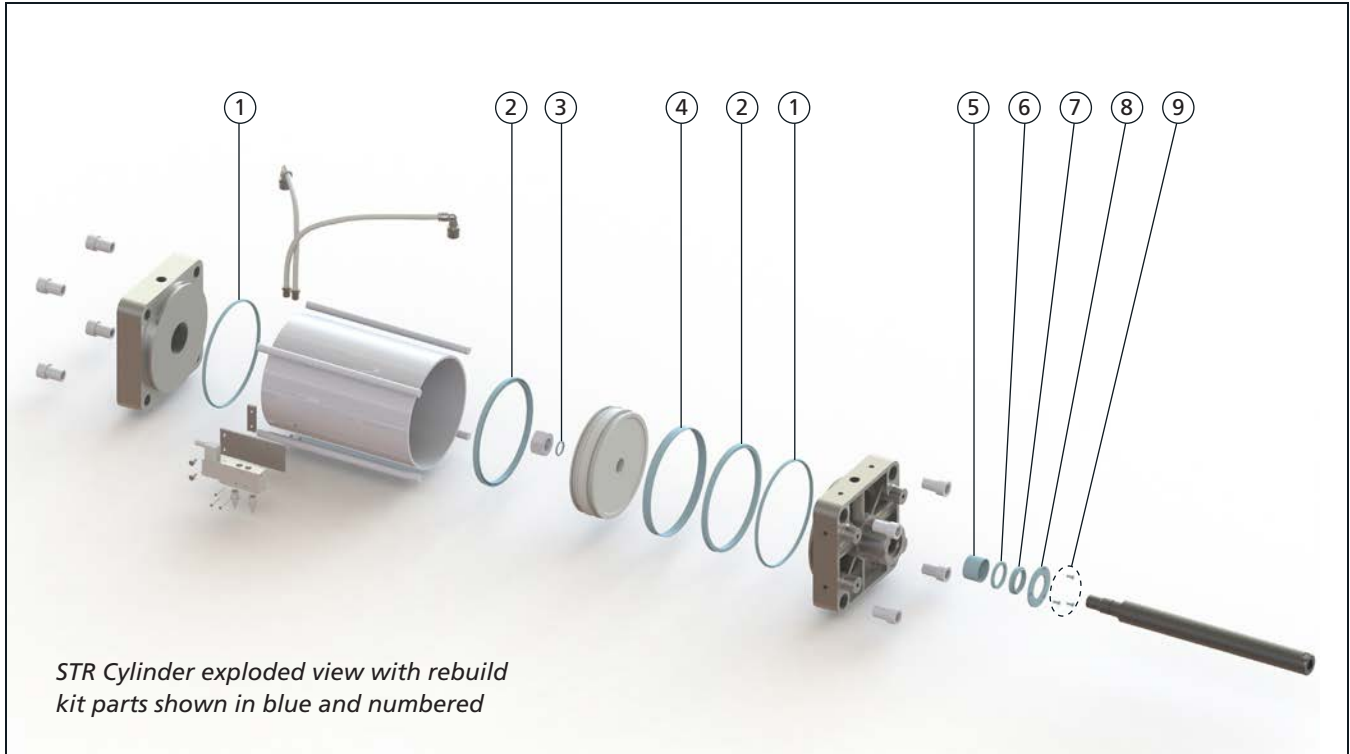
Item	Kit Part Description	Quantity
1	Retainer screws	6
2	Retainer ring	1
3	Retainer ring gasket	1
4	Compression ring	1
5	Seat	1
6	Slide gate	1
7	Packing	3
8	Valve body gasket	2
9	Scraper	1
10	Compression cord	1

STR Knife Gate



Cost effective maintenance

STR Cylinder Rebuild Kit



Parts included in the STR Valve Cylinder Rebuild Kit:

Item	Kit Part Description	Quantity
1	O-ring cylinder end plate	2
2	Piston seal ring	2
3	O-ring - shaft/piston 3.1 x 22.5 ID	1
4	Wear sleeve	1
5	Bushing 40mm 10 x 44mm OD x 30mm	1
6	Shaft cup seal	1
7	Wiper rod seal	1
8	Seal retainer plate	1
9	M4 x 12 Flathead screw	3

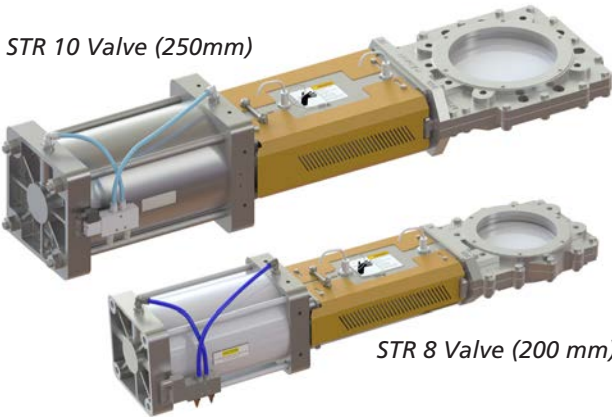
Please note: This kit is designed to service the latest STR Cylinder upgrade and supercedes all other earlier rebuild kits.



STR Valves and Reject Chambers

Discover the performance and durability of the complete STR Line

STR 10 Valve (250mm)



STR 8 Valve (200 mm)

Complete valve and reject chamber assemblies are available



STR 8-10 Reject Chamber with STR 8 and STR 10 Valves



STR 8-8 Reject Chamber with two STR 8 Valves



STR 8-8 Reject Chamber



STR 8-10 Reject Chamber



Learn more from the STR Valve and Reject Chamber brochures or contact your Kadant representative.

Get you running, keep you running

Stock preparation is in our blood. We know this industry like few others – your equipment, your processes and your challenges. We have the know-how and tools to elevate the efficiency of your production. Our team can help monitor, maintain and upgrade your line, providing process improvements, replacement parts, rebuilds and comprehensive maintenance plans.

We provide superior guidance in the planning, design, engineering, installations and start-up of your systems. Our products and expertise cover the full range of stock preparation and pulping.

STR Valve Exchange Program:

The cost effective way to upgrade
Swap STR Valves in need of repair with a new upgraded version. Contact your Kadant representative to learn more.

KADANT

Kadant is a global supplier of high-value, critical components and engineered systems used in process industries worldwide.

www.kadant.com

Contact us:

KADANT BLACK CLAWSON LLC
7312 Central Parke Boulevard
Mason, OH 45040 USA

Tel: +1-513-229-8100

Fax: +1-513-229-8194

Email: info@kadant.com

STR Valves (US)
06/2017 © 2017 Kadant Inc.