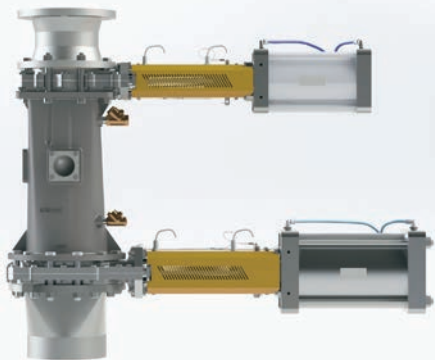


# STR Valves

KADANT

Robust design handles  
high concentration of  
heavy contaminants

*STR Valves with the STR 8-10 Reject Chamber*

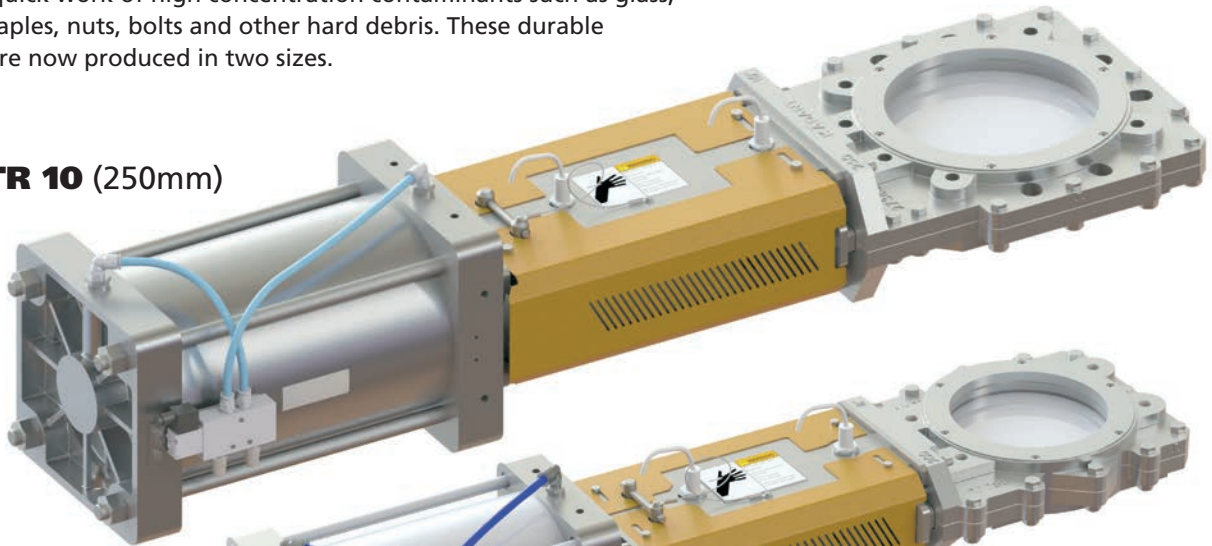


Severe-duty valve for cleaning and  
detrashing applications.

# STR Valves

The STR valve is severe-duty stainless steel knife gate valve for use in high and medium density cleaning systems. Their rugged construction makes quick work of high concentration contaminants such as glass, sand, staples, nuts, bolts and other hard debris. These durable valves are now produced in two sizes.

**STR 10** (250mm)



**STR 8** (200 mm)



- **Safety, simplicity and strength**
- Easy retrofit to all Liquid Cyclones and most competitive cleaners
- Excellent for detrasing units such as the Continuous Light Detrasher

## Benefits



### Heavy-duty construction

- Reliable service components with extended life operating cycles
- Auxiliary threaded mounting support points provided



### Improved performance

- Constant and continuous output of both reject material and defibered accept pulp



### Maximized flow

- Kadant designed rectangular relief platform expels debris with minimal blockage and wear



### Safety in mind

- Valve locking pins, to lock open or close, for safe lock out / tag out



### Low maintenance

- Simplified valves means minimum maintenance, parts and labor

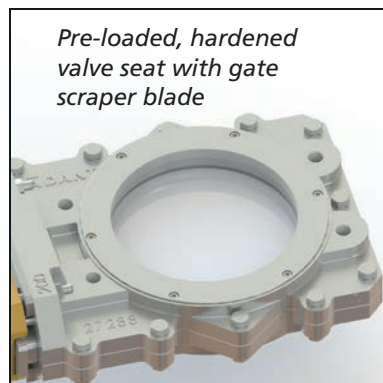
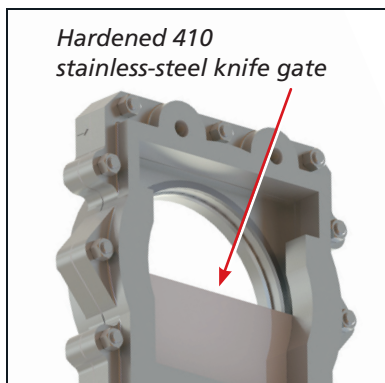
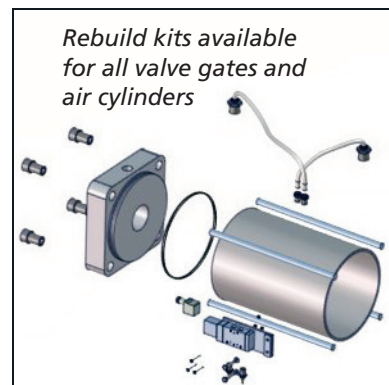
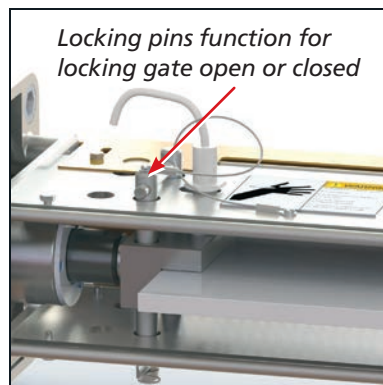
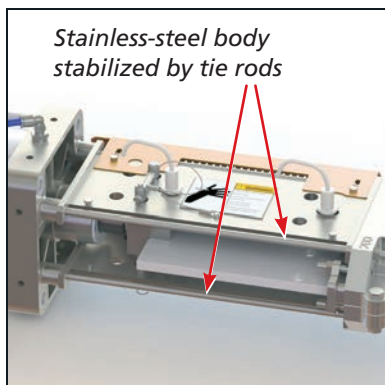
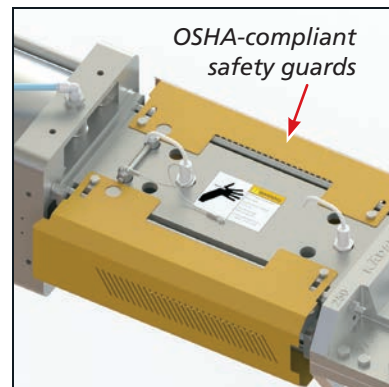
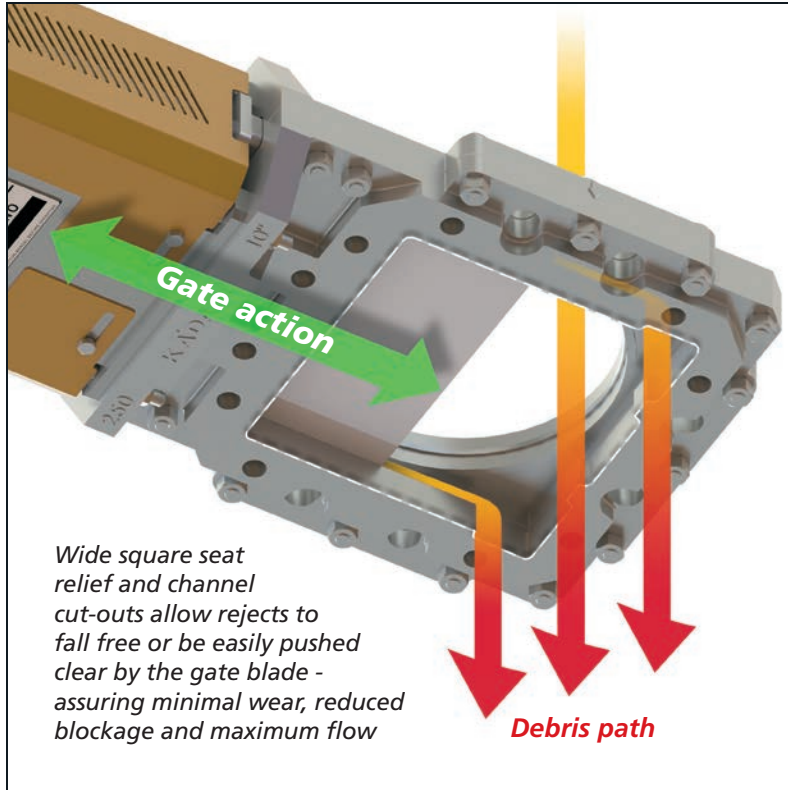


### Cost effective

- Knife gate and cylinder assembly designed for easy maintenance
- Recaptures water and fiber often lost with debris maintenance

# Run strong, run secure

## All STR Valves feature:



- **BSPT or NPT solenoids** (24V or 120V available)
- **Open-close limit switches** (20-250 VAC, 20-300 VDC operating voltage)
- **ANSI & ISO standard bolting connections**
- **Auxiliary threaded support points**
- **Low profile fittings**

# STR Reject Chambers

## Paired for perfection with your choice of STR Reject Chambers

Created specifically for our STR valves, these durable cast iron STR reject chambers are available in two sizes to match. The 8-8 Reject Chamber (with an 8" entrance and exit) and the expanded 8-10 Reject Chamber (with an 8" entrance and 10" exit) which provides an additional 50% reject capacity.

Both chambers feature elutriation ports and a sight glass for optimized performance and reduced maintenance demands. Depending on chamber port size, STR valves are common to the top and bottom reject chamber positions.

Complete valve and reject chamber assemblies are also available and include square to round transition bottom discharge pipes.



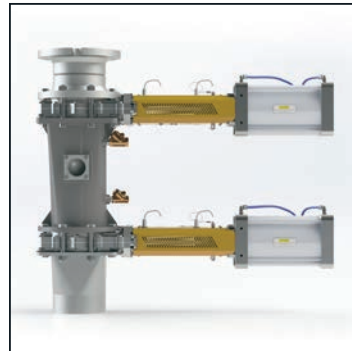
**STR 8-8  
Reject Chamber**



**STR 8-10  
Reject Chamber**



*STR 8-10 Reject Chamber  
with STR 8 and STR 10 Valves*



*STR 8-8 Reject Chamber  
with two STR 8 Valves*



*Learn more from the STR Reject Chamber brochure or contact your Kadant representative.*

## Get you running, keep you running

Stock preparation is in our blood. We know this industry like few others – your equipment, your processes and your challenges. We have the know-how and tools to elevate the efficiency of your production. Our team can help monitor, maintain and upgrade your line, providing process improvements, replacement parts, rebuilds and comprehensive maintenance plans.

We provide superior guidance in the planning, design, engineering, installations and start-up of your systems. Our products and expertise cover the full range of stock preparation and pulping.

### **STR Valve Exchange Program:** The cost effective way to upgrade

Swap STR Valves in need of repair with a new upgraded version. Contact your Kadant representative to learn more.

# KADANT

Kadant is a global supplier of high-value, critical components and engineered systems used in process industries worldwide.

[www.kadant.com](http://www.kadant.com)

#### Contact us:

KADANT BLACK CLAWSON LLC  
7312 Central Parke Boulevard  
Mason, OH 45040 USA

Tel: +1-513-229-8100

Fax: +1-513-229-8194

Email: [info@kadant.com](mailto:info@kadant.com)